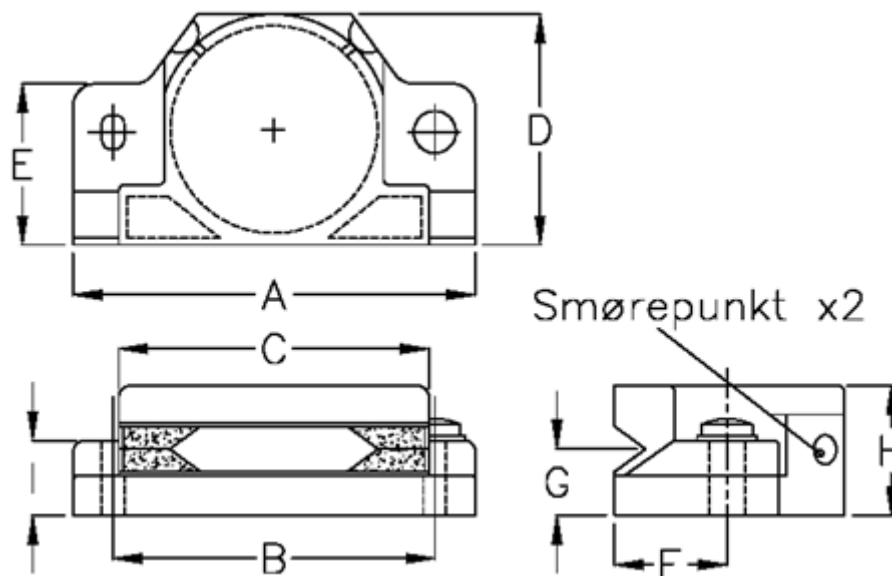


Article number: 05904125

Description: Hepco cap seal CS 25

## Measures



A = 55

B = 44.0

C = 43.0

D = 30.0

E = 22

F = 14.8

G = 9.00

H = 18.0

I = 8.6

Weight kg/1000 = 0.013